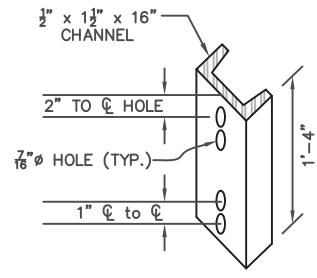
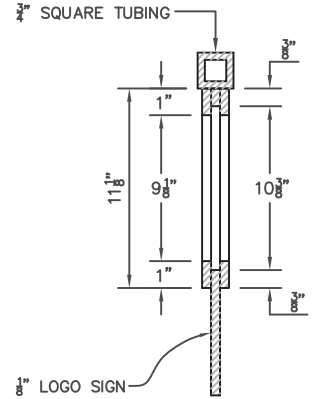
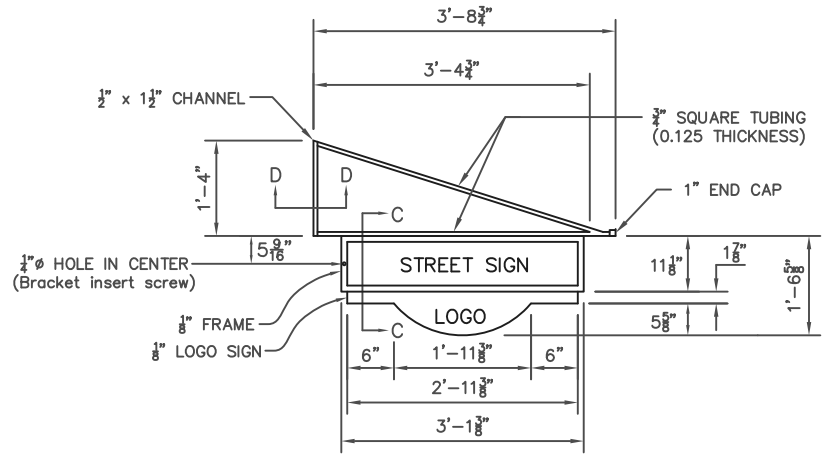


SECTION A-A

SECTION B-B

DECORATIVE STREET POST 8x30 SIGN BRACKET
(FABRICATION DETAILS)



SECTION C-C

SECTION D-D

DECORATIVE STREET POST 10x36 SIGN BRACKET
(FABRICATION DETAILS)

- NOTES:
1. UNLESS OTHERWISE OTHERWISE, ALL DIMENSIONS ARE OUTSIDE-TO-OUTSIDE
 2. ALL MATERIAL SHALL BE POWDER COATED ALUMINUM.
 3. ALL PARTS SHALL BE PAINTED WITH TGIC UV RESISTANT SEMIGLOSS BLACK FINISH.
 4. ALL STREET NAME SIGN LETTERING SHALL BE CENTERED IN THE SIGN OPENING.
 5. ALL STREET NAME SIGN LETTERING SHALL COMPLY WITH MUTCD (11th EDITION) SECTION 2D.45, TABLE 2D-6.



ENGINEERING DEPARTMENT

DECORATIVE STREET POST
(SIGN BRACKET FABRICATION DETAILS)

DRAWN: <u>MLC</u>	DATE: <u>07.25.23</u>
CHECKED: <u>JDB</u>	REVISED: <u>01.30.24</u>
APPROVED: <u>EWS</u>	SCALE: <u>NTS</u>