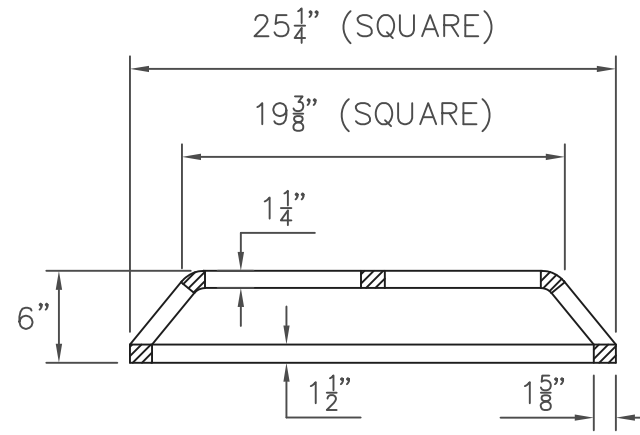


PLAN VIEW



SECTION A-A

#3070 SQUARE 'BEEHIVE' GRATE

*** NOTE: DO NOT USE A NO. 10 FRAME WITH THIS GRATE ***

NOTES:

1. MATERIAL SHALL BE CAST GRAY IRON ASTM A48, CLASS 35B (OR EQUAL)
2. FINISH: NONE (NO PAINT)
3. WEIGHT: ±156 LBS.



ENGINEERING DEPARTMENT

#3070 SQUARE 'BEEHIVE' GRATE

DRAWN: MLC

DATE: 06.06.23

CHECKED: JDB

REVISED: _____

APPROVED: EWS

SCALE: NTS