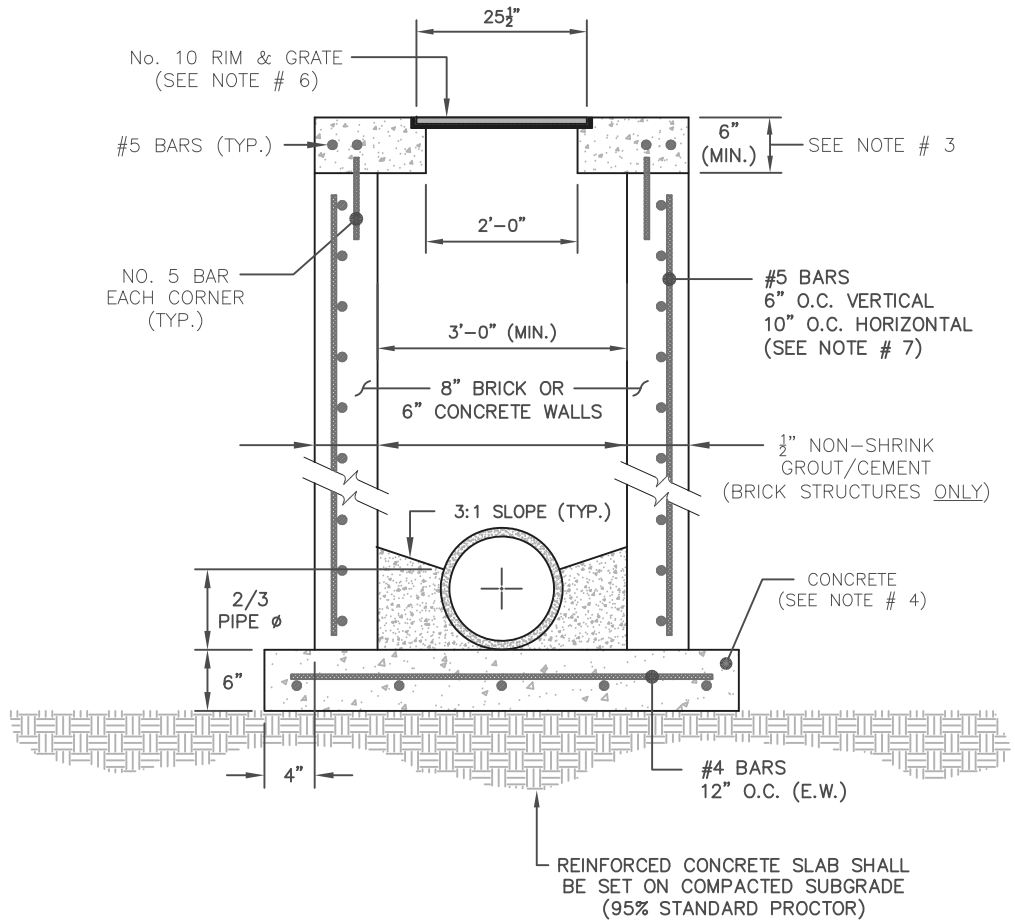
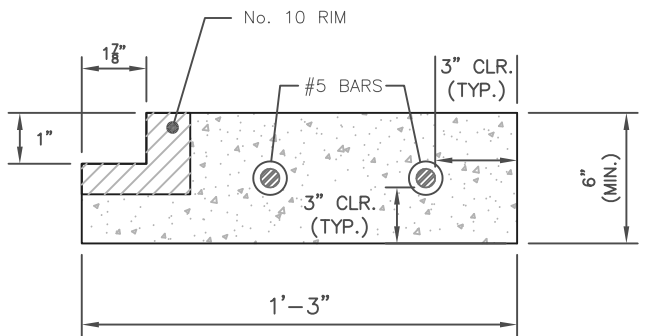


TOP PLAN



CROSS SECTION



SECTION A-A

No. 10 DRAINAGE INLET

NOTES:

- SOLID BRICK CONSTRUCTION SHALL USE STANDARD CONCRETE BRICK. HEADER COURSE REQUIRED EVERY FIFTH (5th) COURSE.
- ALL PRECAST STRUCTURES MUST BE APPROVED BY THE CITY OF GERMANTOWN ENGINEERING DEPARTMENT PRIOR TO INSTALLATION OF STRUCTURE.
- PRECAST TOPS SHALL BE SET IN PLACE USING A FULL MORTAR BED.
- UNLESS OTHERWISE NOTED ON PLANS, CONCRETE SHALL BE CLASS A, 3500 psi READY MIX TYPE CONFORMING TO ASTM SPECIFICATION C94 AND COMPOSED OF PORTLAND CEMENT, SAND, AND WASHED COURSE LIMESTONE AGGREGATE.
- STEPS SHALL BE ADDED TO ALL STRUCTURES HAVING A DEPTH GREATER THAN THREE (3') FEET. STEPS TO BE SPACED ON 18" CENTERS AND MAY BE WROUGHT IRON OR CAST IRON.
- RIM & GRATE SHALL BE STANDARD No. 10 RIM & GRATE PER CITY OF GERMANTOWN STANDARD DETAILS.
- REBAR REINFORCING IN STRUCTURE WALLS ARE REQUIRED WHEN WALLS ARE CAST WITH CONCRETE.



ENGINEERING DEPARTMENT

No. 10 DRAINAGE INLET

DRAWN:	MLC	DATE:	07.11.23
CHECKED:	JDB	REVISED:	
APPROVED:	EWS	SCALE:	NTS