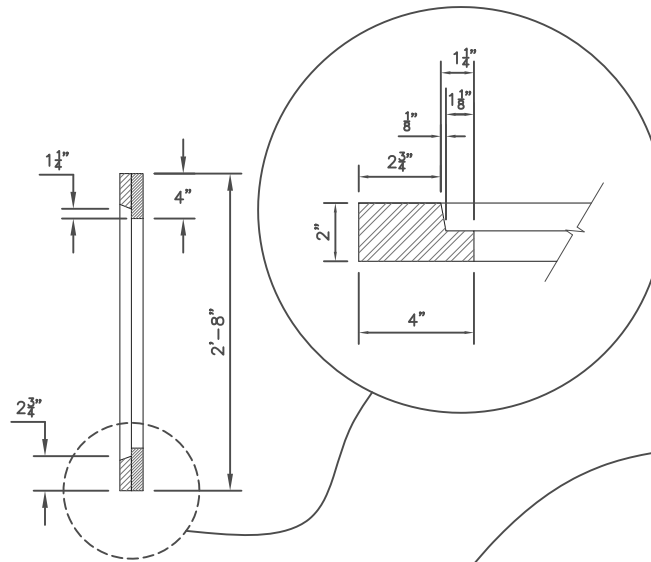
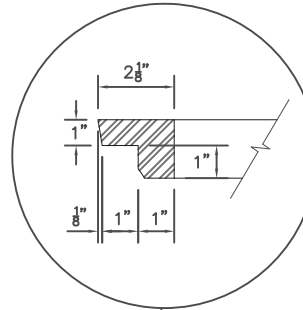
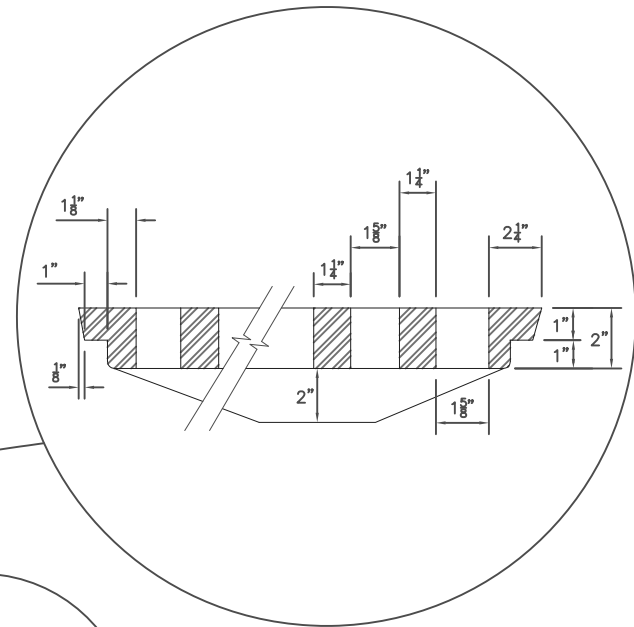


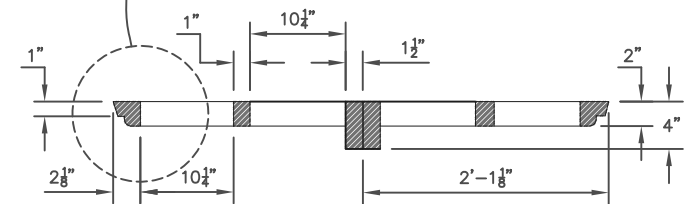
PLAN OF RIM



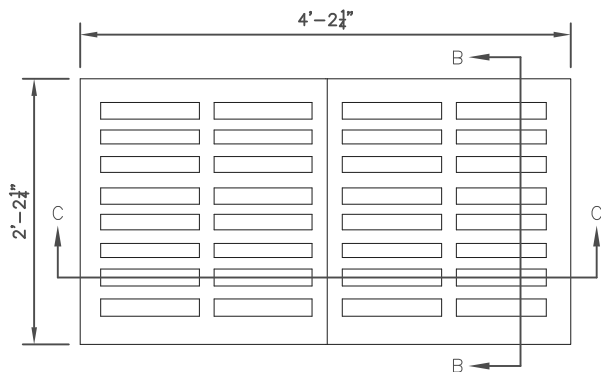
SECTION A-A



SECTION B-B



SECTION C-C

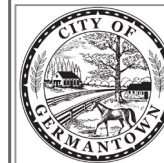


PLAN OF GRATE

No. 11 RIM & GRATE

NOTES:

1. ALL PRECAST STRUCTURES MUST BE APPROVED BY THE CITY OF GERMANTOWN ENGINEERING DEPARTMENT PRIOR TO INSTALLATION OF STRUCTURE.
2. PRECAST TOPS SHALL BE SET IN PLACE USING A FULL MORTAR BED.
3. RIM & GRATE SHALL BE STANDARD No. 11 RIM & GRATE AS MANUFACTURED BY MEMPHIS MACHINE WORKS (OR APPROVED EQUAL).



ENGINEERING DEPARTMENT

No. 11 RIM & GRATE

DRAWN: MLC

DATE: 07.12.23

CHECKED: JDB

REVISED: _____

APPROVED: EWS

SCALE: NTS