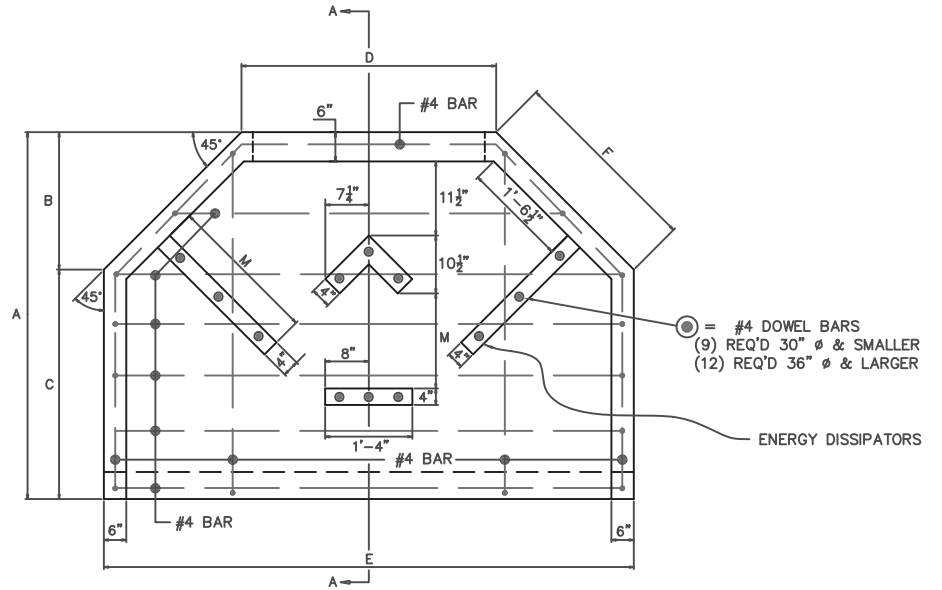
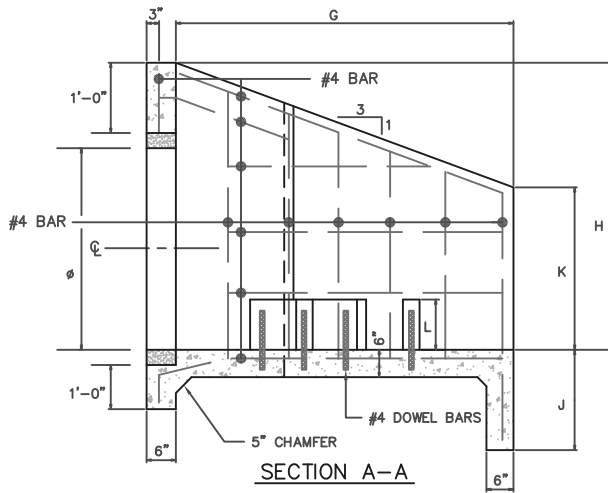


END VIEW



PLAN VIEW



SECTION A-A

TYPE 'E' HEADWALL

TABLE OF DIMENSIONS (3:1 CONSTRUCTION SLOPE)

Ø	15"Ø	18"Ø	21"Ø	24"Ø	30"Ø	36"Ø	42"Ø	48"Ø	54"Ø	60"Ø
A	15'-3 $\frac{3}{8}$ "	5'-6 $\frac{3}{8}$ "	5'-6 $\frac{3}{8}$ "	5'-7 $\frac{1}{2}$ "	5'-9"	7'-4 $\frac{1}{2}$ "	9'-0"	9'-1 $\frac{1}{2}$ "	10'-9"	12'-6"
B	1'-8 $\frac{1}{2}$ "	1'-8 $\frac{1}{2}$ "	1'-8 $\frac{1}{2}$ "	1'-8 $\frac{1}{2}$ "	1'-9"	1'-9"	1'-9"	1'-9"	1'-9"	1'-9"
C	3'-0 $\frac{3}{8}$ "	3'-4 $\frac{1}{2}$ "	3'-10 $\frac{1}{4}$ "	3'-11"	4'-0"	5'-7 $\frac{1}{2}$ "	7'-3"	7'-4 $\frac{1}{2}$ "	9'-0"	10'-9"
D	2'-0 $\frac{1}{2}$ "	2'-3 $\frac{1}{2}$ "	2'-6 $\frac{1}{2}$ "	2'-10"	3'-5"	4'-0"	4'-7"	5'-2"	5'-9"	6'-5"
E	5'-5 $\frac{1}{2}$ "	5'-8 $\frac{1}{2}$ "	5'-11 $\frac{1}{2}$ "	6'-3"	6'-11 $\frac{1}{4}$ "	7'-6"	8'-1"	8'-8"	9'-3"	9'-11"
F	2'-4 $\frac{1}{2}$ "	2'-4 $\frac{1}{2}$ "	2'-4 $\frac{1}{2}$ "	2'-4 $\frac{1}{2}$ "	2'-5 $\frac{3}{8}$ "	2'-5 $\frac{3}{8}$ "	2'-5 $\frac{3}{8}$ "	2'-5 $\frac{3}{8}$ "	2'-5 $\frac{3}{8}$ "	2'-5 $\frac{3}{8}$ "
G	4'-9 $\frac{3}{8}$ "	5'-0 $\frac{3}{8}$ "	5'-0 $\frac{3}{8}$ "	5'-11 $\frac{1}{2}$ "	5'-3"	6'-10 $\frac{1}{2}$ "	8'-6"	8'-7 $\frac{1}{2}$ "	10'-3"	12'-0"
H	2'-5 $\frac{3}{8}$ "	2'-8 $\frac{1}{2}$ "	2'-11 $\frac{1}{2}$ "	3'-2 $\frac{1}{2}$ "	3'-9"	4'-3 $\frac{1}{2}$ "	4'-10"	5'-4 $\frac{1}{2}$ "	5'-11"	6'-6"
J	2'-0"	2'-0"	2'-0"	2'-0"	2'-0"	3'-0"	3'-0"	3'-0"	3'-0"	3'-0"
K	0'-10"	1'-0"	1'-3"	1'-6"	2'-0"	2'-0"	2'-0"	2'-6"	2'-6"	2'-6"
L	0'-8"	0'-8"	0'-8"	0'-8"	1'-0"	1'-0"	1'-0"	1'-0"	1'-3"	1'-3"
M	1'-5"	1'-6"	1'-7"	1'-9"	2'-2"	2'-2"	2'-5"	2'-6"	2'-9"	3'-0"

NOTES:

1. ALL PRECAST STRUCTURES MUST BE APPROVED BY THE CITY OF GERMANTOWN ENGINEERING DEPARTMENT PRIOR TO INSTALLATION OF STRUCTURE.
2. UNLESS OTHERWISE NOTED ON PLANS, CONCRETE SHALL BE CLASS A, 3500 psi READY MIX TYPE CONFORMING TO ASTM SPECIFICATION C94 AND COMPOSED OF PORTLAND CEMENT, SAND, AND WASHED COURSE LIMESTONE AGGREGATE.
3. ALL REINFORCING BARS SHALL BE No. 4 REBAR. REINFORCING BARS SHALL BE SPACED AT 12" O.C. AND PLACED IN ALL LOCATIONS SHOWN (WINGWALLS, END-SECTION, BOTTOM, TOE-WALLS, ETC...). THE #4 REINFORCING BARS SHALL BE SIZED AND CUT TO REQ'D DIMENSIONS DEPENDING ON THE DIAMETER OF PIPE AND OVERALL SIZE OF THE HEADWALL PER THE TABLE OF DIMENSIONS LISTED, WHILE MAINTAINING A MINIMUM 2" MINIMUM CLEAR DIMENSION FOR ALL REINFORCING BARS.



ENGINEERING DEPARTMENT

TYPE 'E' HEADWALL

DRAWN: MLC DATE: 07.21.23  
 CHECKED: JDB REVISED: \_\_\_\_\_  
 APPROVED: EWS SCALE: NTS