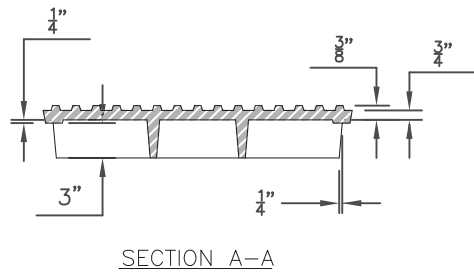
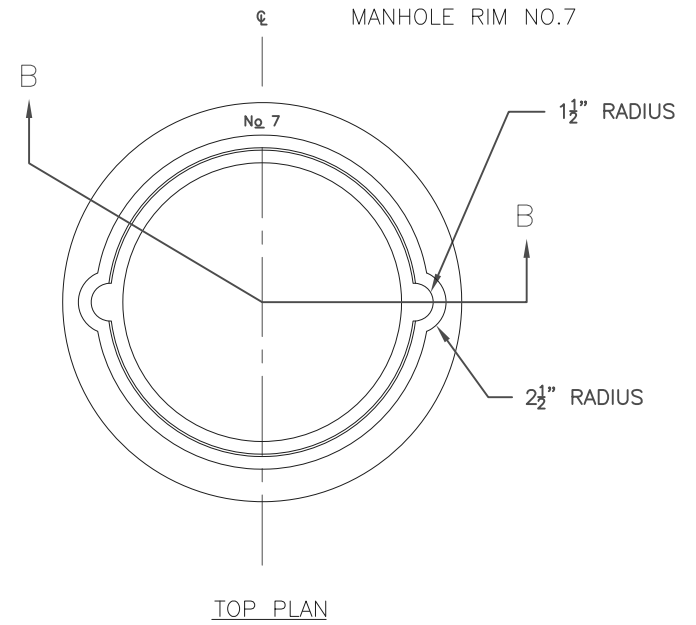
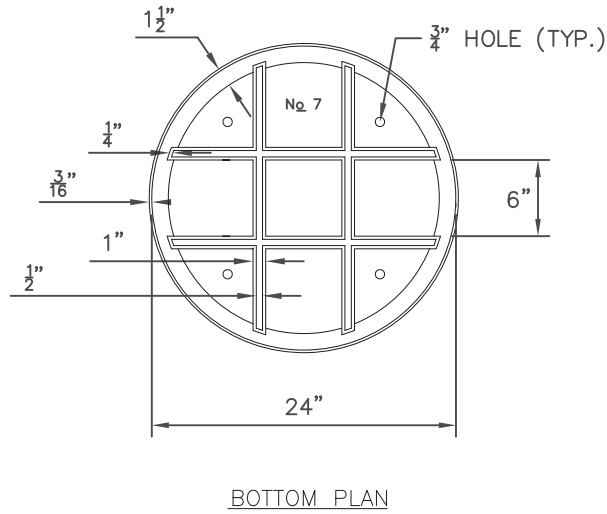
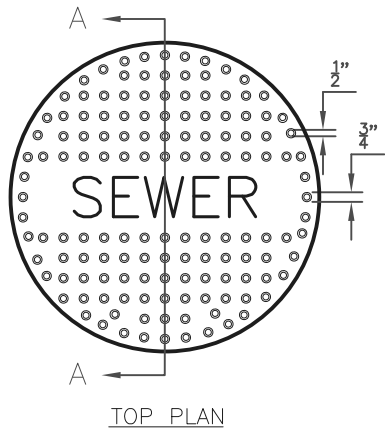
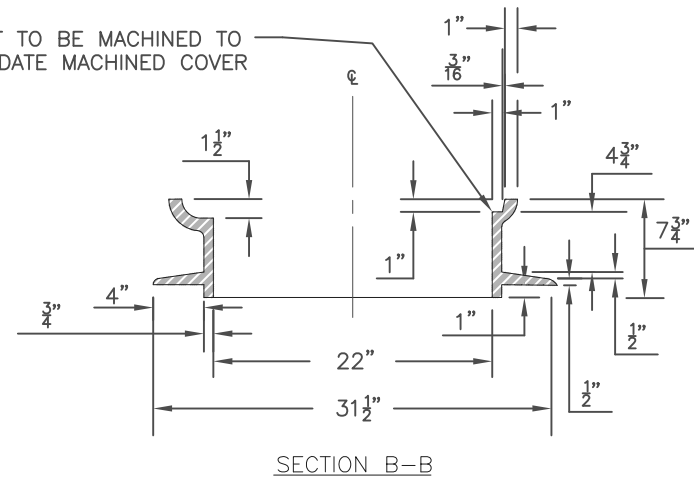


MANHOLE COVER NO.7



THIS SEAT TO BE MACHINED TO ACCOMMODATE MACHINED COVER



No. 7 MANHOLE RIM & COVER

NOTES:

1. IF BOLTED-DOWN RIM & COVER ARE REQUIRED, SEE CITY OF MEMPHIS DESIGN STANDARD SST-8



ENGINEERING DEPARTMENT

No. 7 MANHOLE RIM & COVER

DRAWN: MLC

DATE: 06.15.23

CHECKED: JDB

REVISED: \_\_\_\_\_

APPROVED: EWS

SCALE: NTS